



RACE SERIES

PERFORMANCE ENGINE BEARINGS

PRODUCT INFORMATION BULLETIN

New Part Number

PIB042/2022

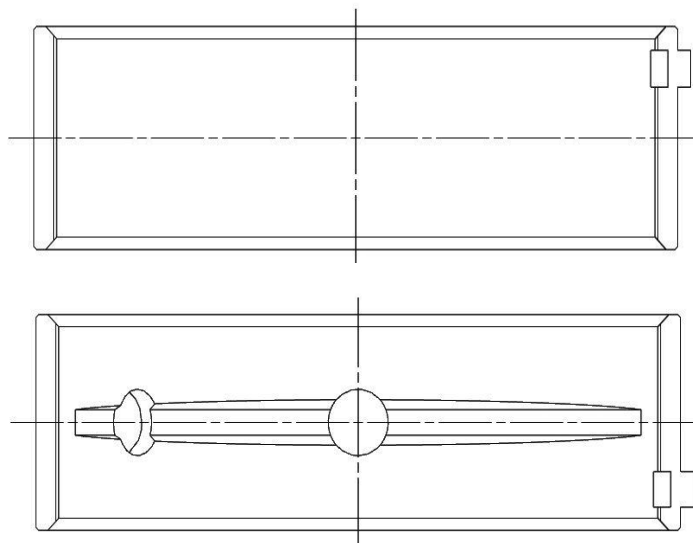
Hemi Late Model Mains

ACL announce the release of Main RACE Series Performance engine bearings for the Hemi V8 late model engines

The existing conrod set 8B1808H also suits these engines.

Engine details are:

- Chrysler 5.7L Hemi V8, 2009 on
- Chrysler ESD 6.2L Hemi V8, 2014 on
- Chrysler ESJ 6.2L Hemi V8, 2018 on
- Chrysler ESG 6.4L Hemi V8, 2011 on
- Chrysler ESH 6.4L Hemi V8, 2011 on
- Jeep 5.7L Hemi V8, 2009 on
- Jeep ESD 6.2L Hemi V8, 2018 on



New part numbers are:

- 5M2221H-STD
- 5M2221H-.025
- 5M2221H-.25
- 5M2221HX-STD

Note: For engines before 2009, the existing main set 5M2220H is available.

ACL Bearing Company (Australia) Pty Ltd
 253 George Town Road, Rocherlea, Tasmania 7248 Australia
 Tel : +61 03 6326 0500 | Fax: +61 03 6326 6666
acl.com.au | aclperformance.com.au

